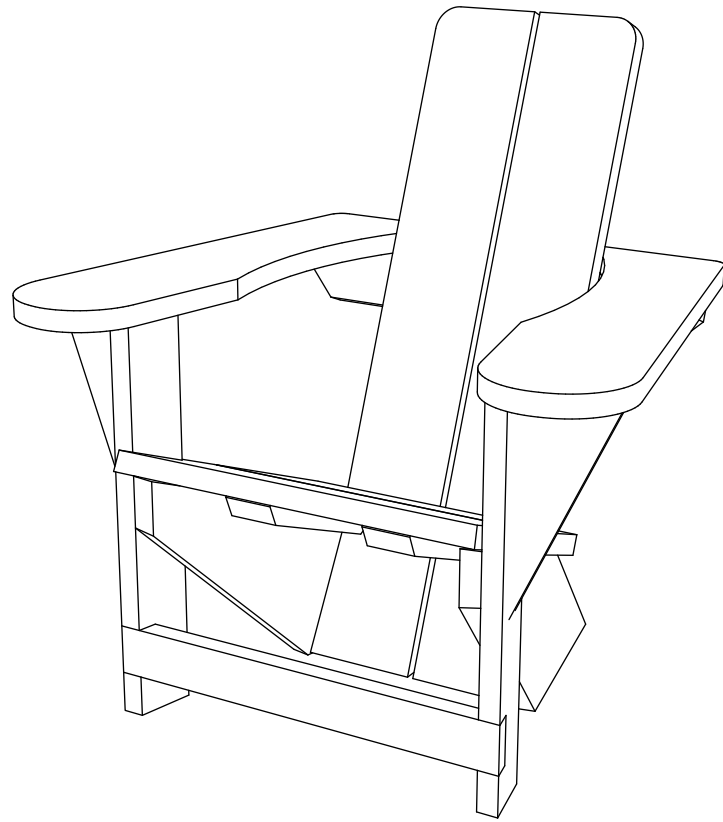


Raster Rendering



Vector Rendering