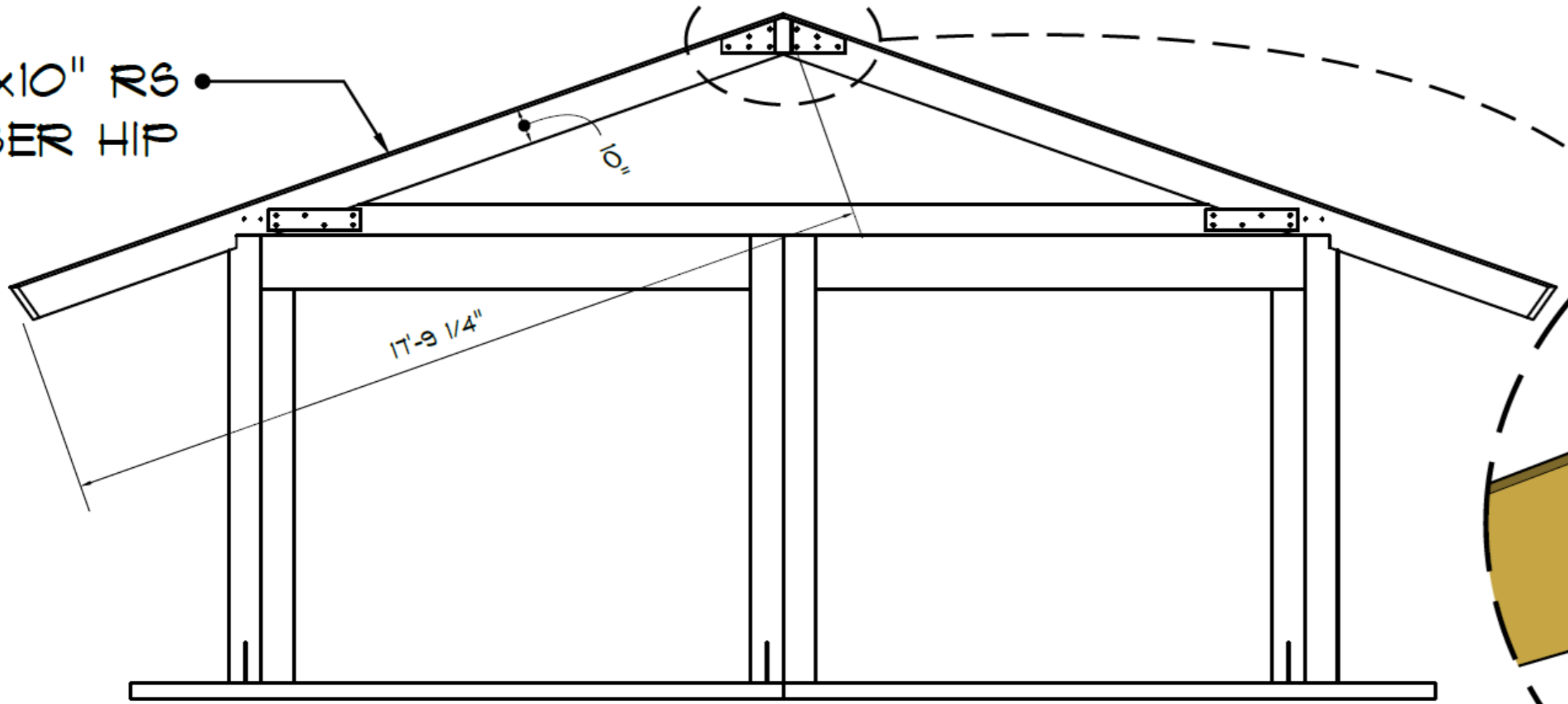
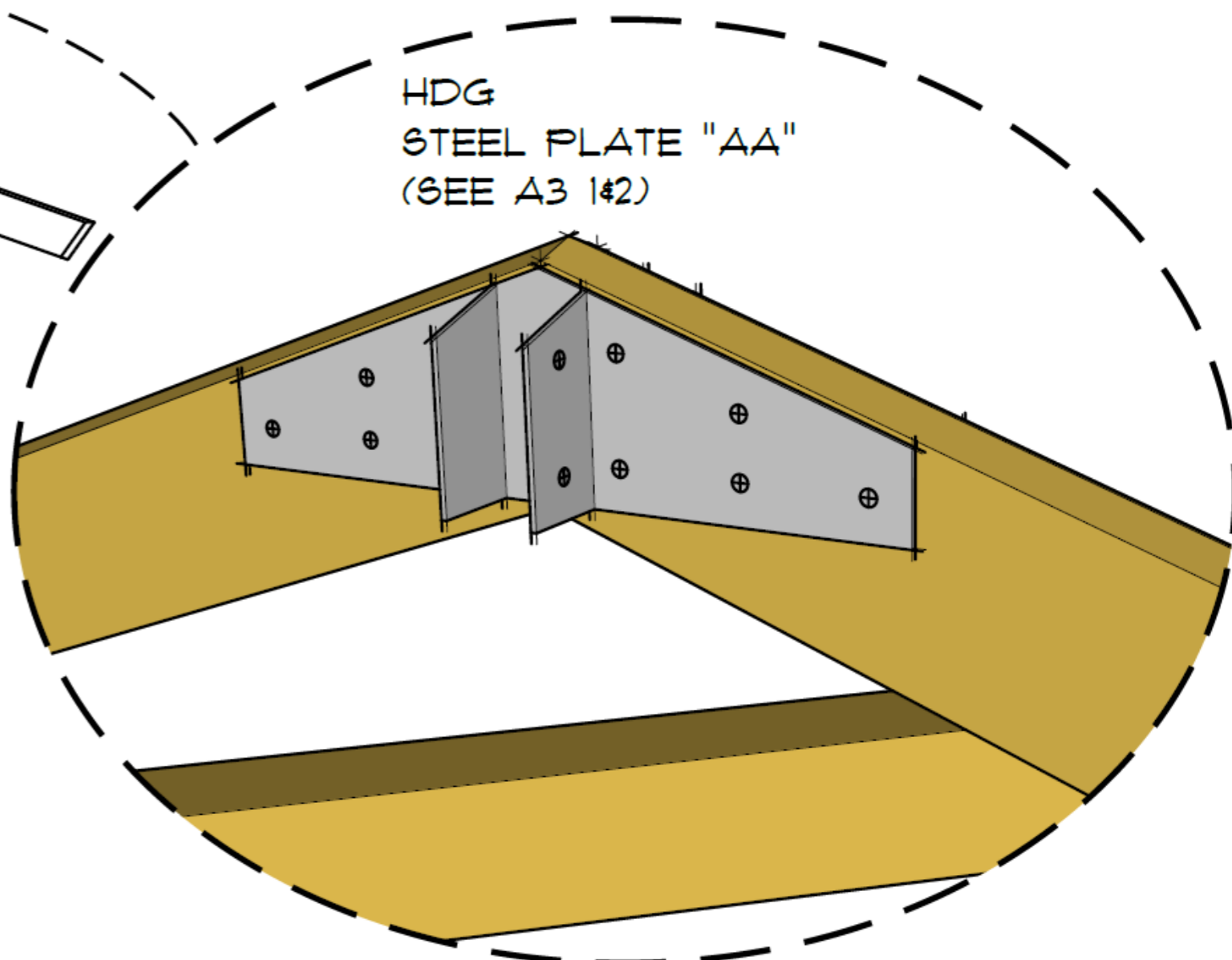


TRUSS FRAMING
SHOP DRAWINGS

4"x10" RS
TIMBER HIP

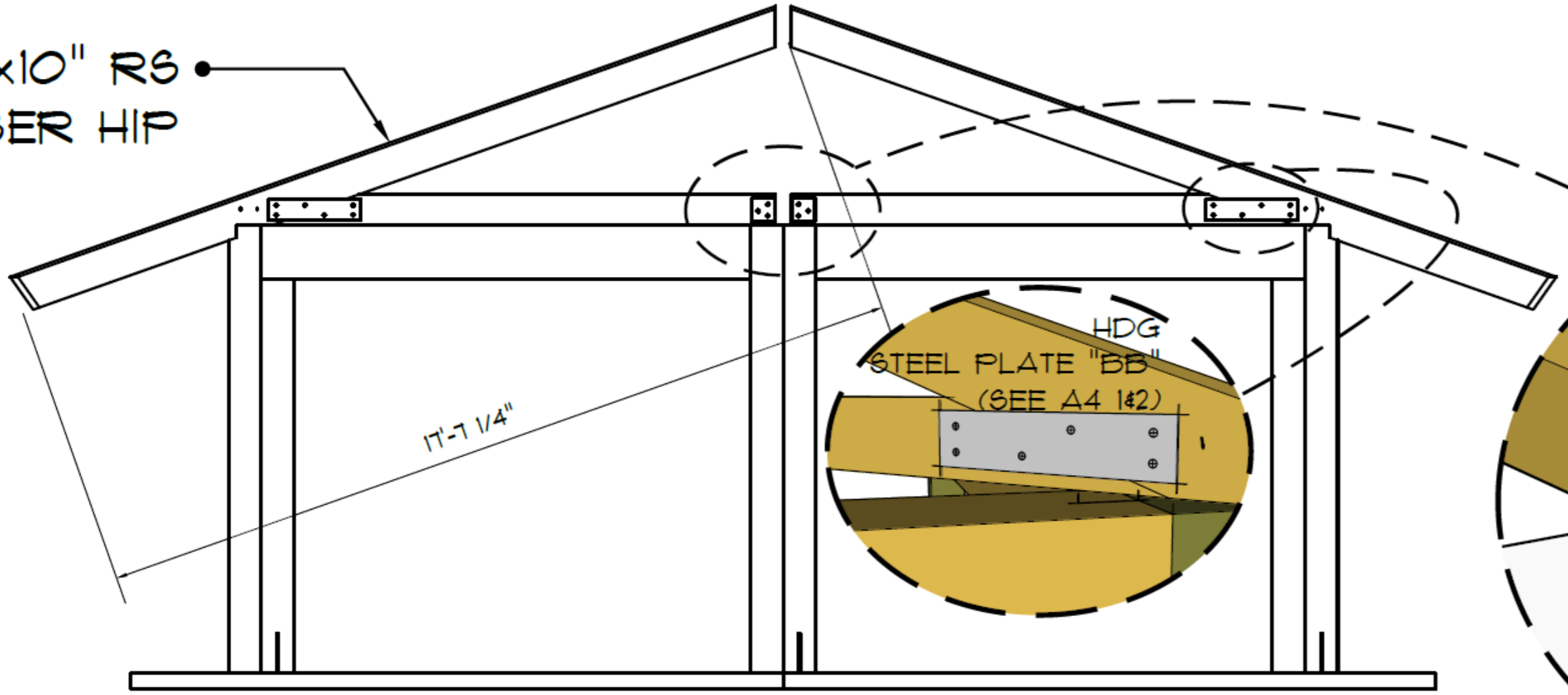


A1: 4 TRUSS "A" ELEV. SCALE: 1" = 8'-0"

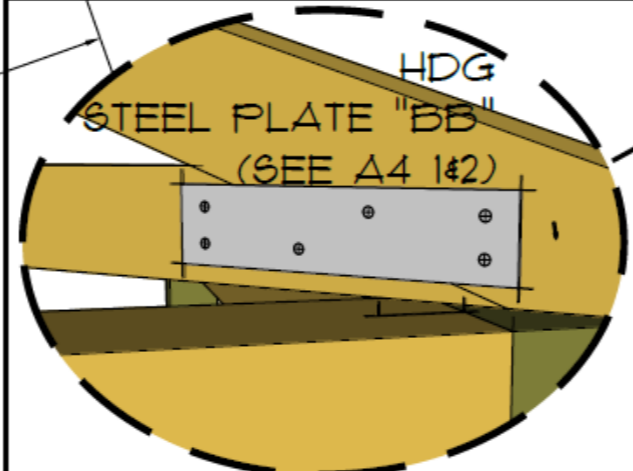


HDG
STEEL PLATE "AA"
(SEE A3 1#2)

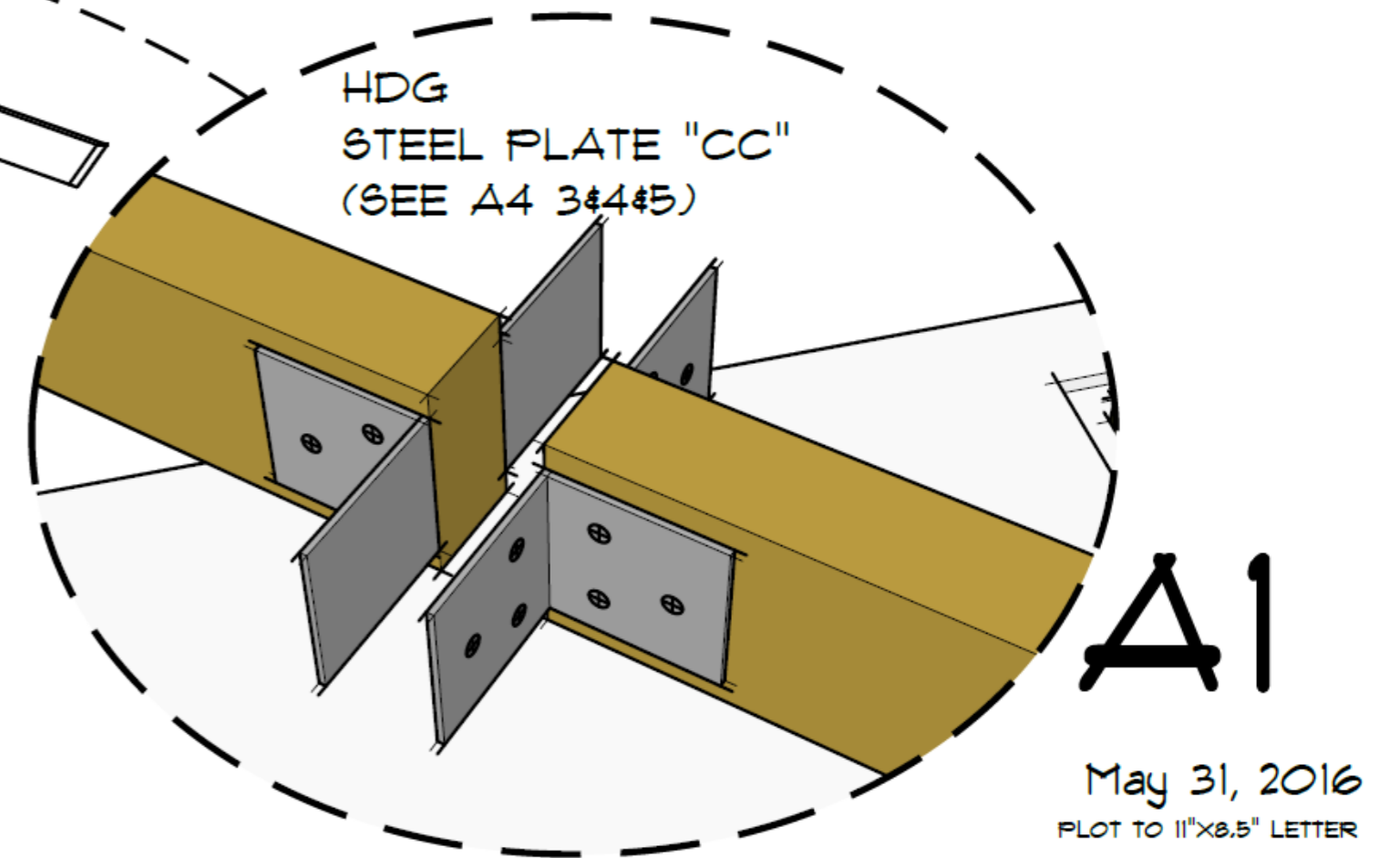
4"x10" RS
TIMBER HIP



A1: 6 TRUSS "B" ELEV. SCALE: 1" = 8'-0"



HDG
STEEL PLATE "BB"
(SEE A4 1#2)



HDG
STEEL PLATE "CC"
(SEE A4 3#4#5)

A1