

skp

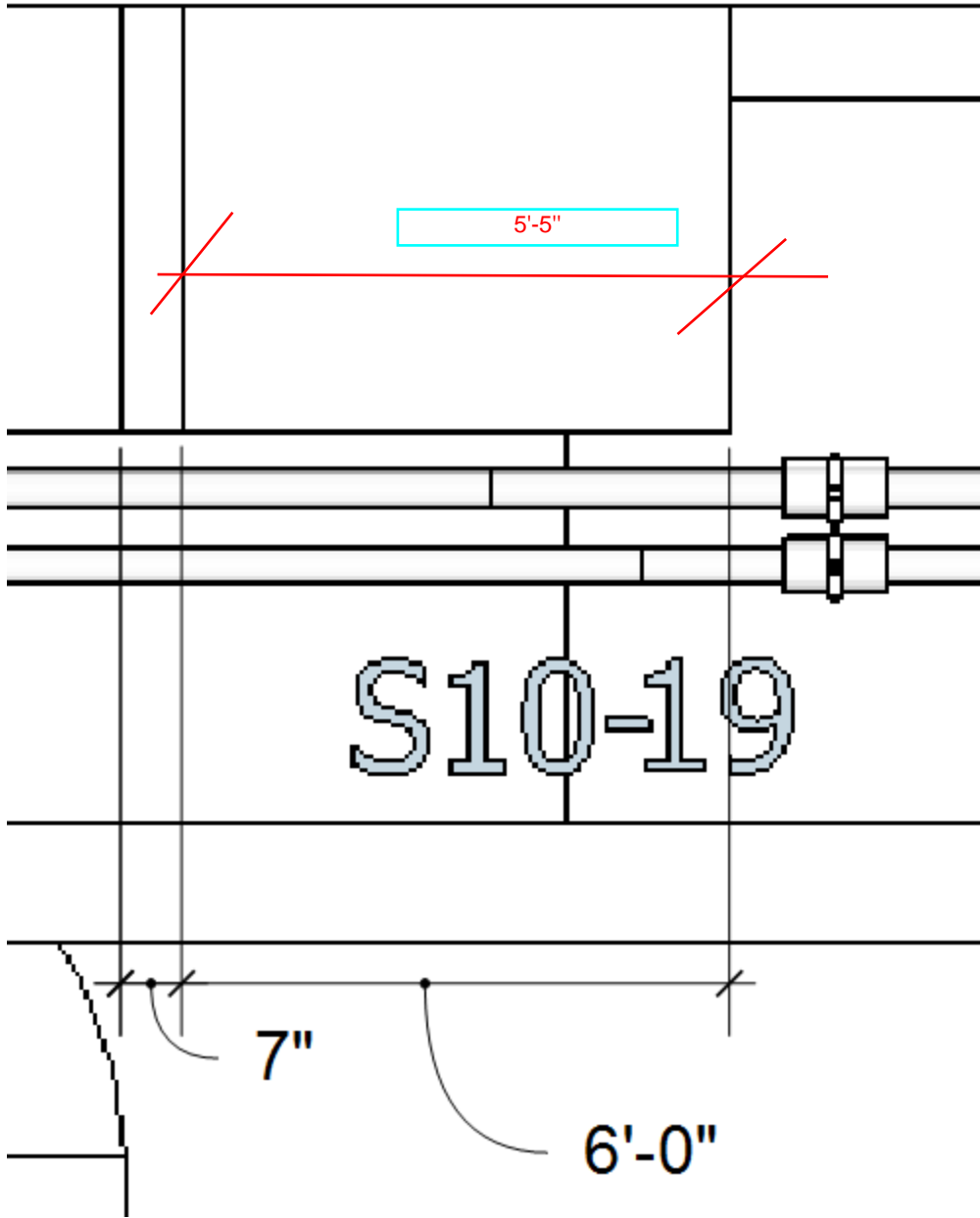
DEAM T 13-0.0

5'-5"

S10-19

7"

6'-0"



autocad

