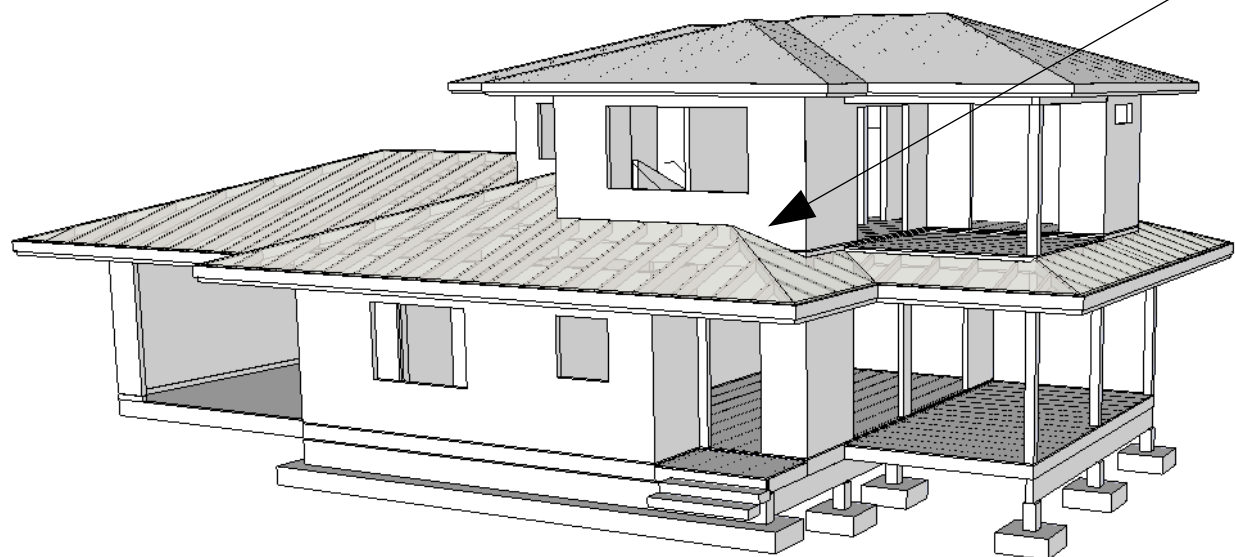
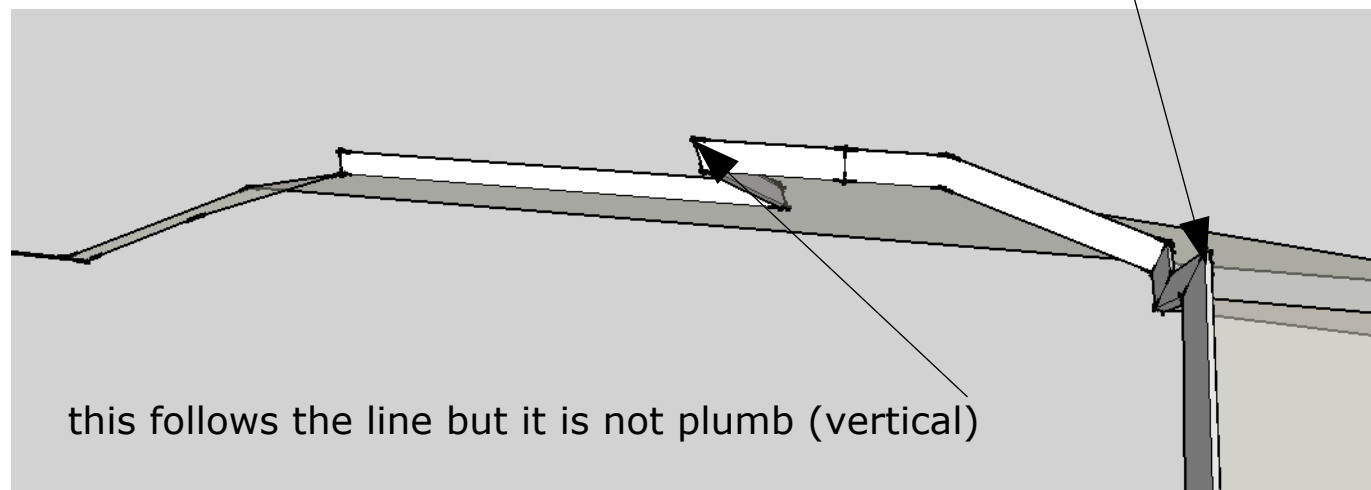


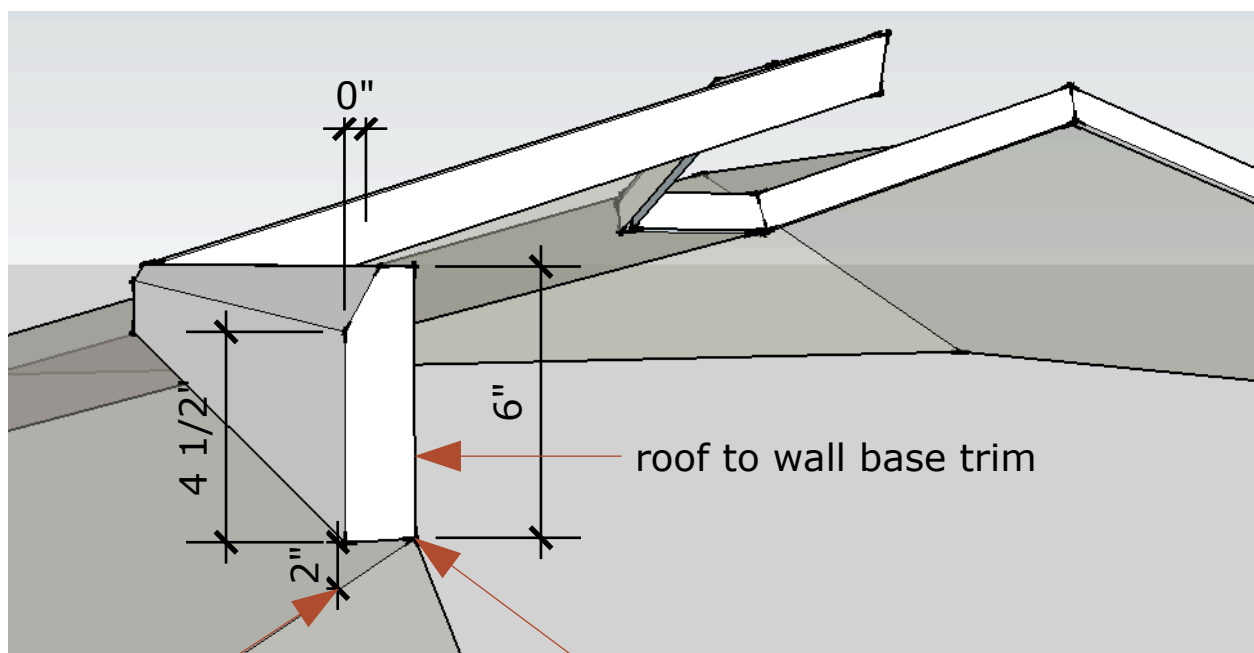
the trim wants to follow the line of the roof cut in, but it is 2" above, (for flashing)



this follows the line but it is not plumb (vertical)

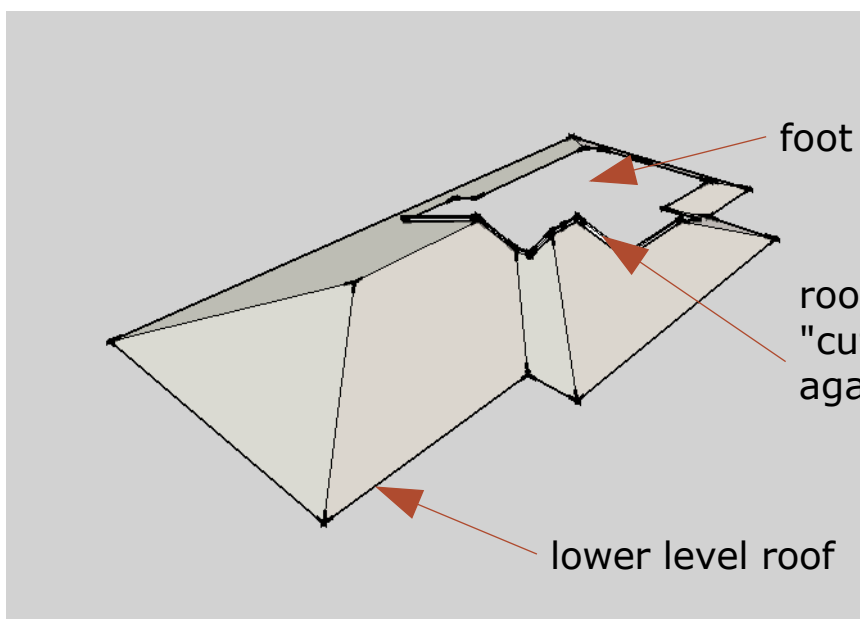


this follows the line but it is not plumb (vertical)



this piece is setting on the roof, but I want it to be 2" above

this is as it is ment to be, plumb (vertical) base molding where roof meets wall line, it will have to be modified @ deck to work read right



foot print of upper level

roof to wall base trim follows "cut in" for the upper level, against the lower level roof.

lower level roof