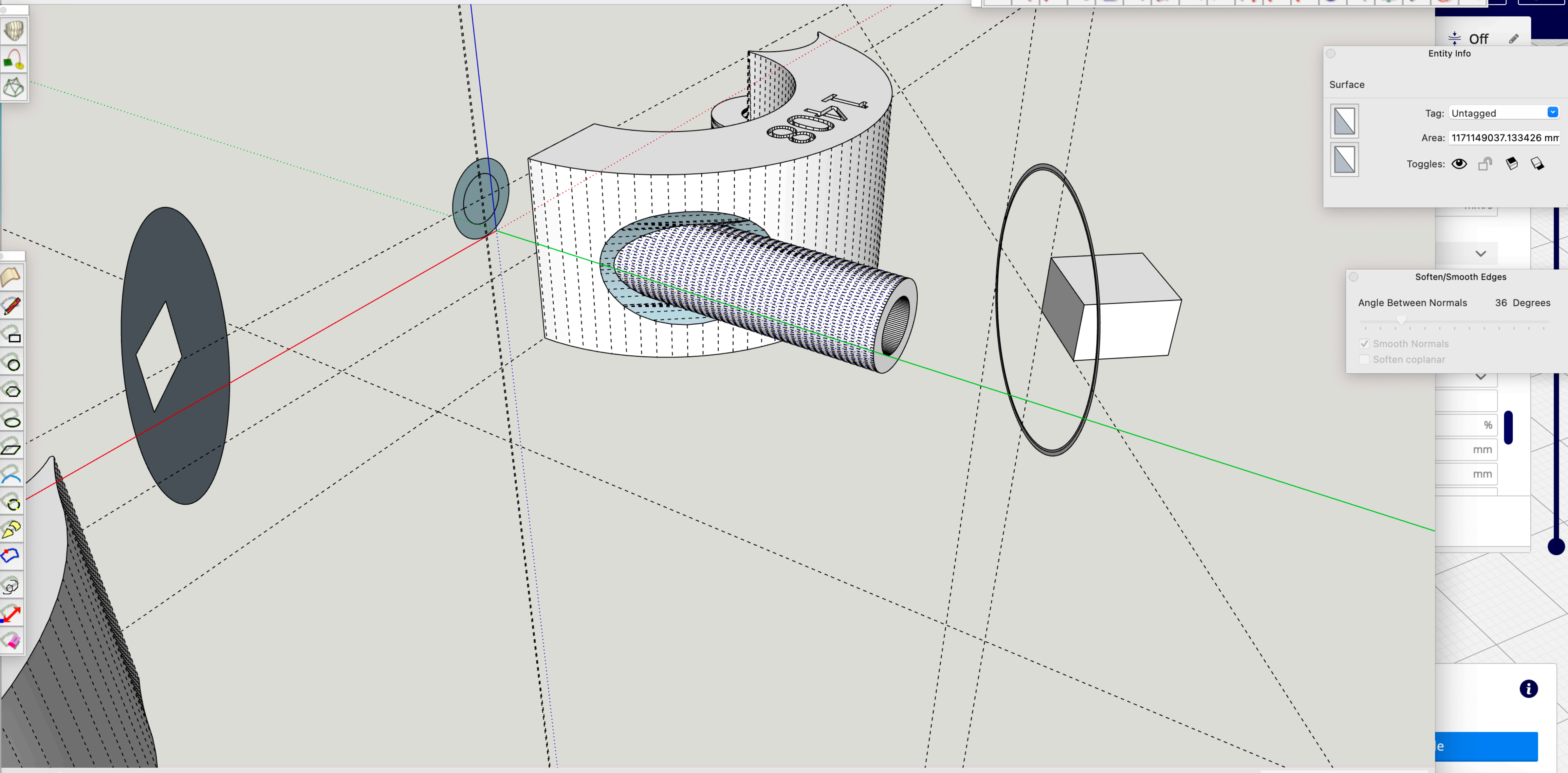


Vertical toolbar on the left side of the interface containing various drawing and editing tools like lines, arcs, and surfaces.



Entity Info panel showing Surface properties: Tag: Untagged, Area: 1171149037.133426 mm, and Toggles for visibility and selection.

Soften/Smooth Edges panel with Angle Between Normals set to 36 Degrees, and checkboxes for Smooth Normals and Soften coplanar.

Click or drag to select objects. Shift = Add/Subtract. Option = Add. Shift + Option = Subtract.

Measurements